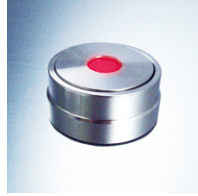


# A20



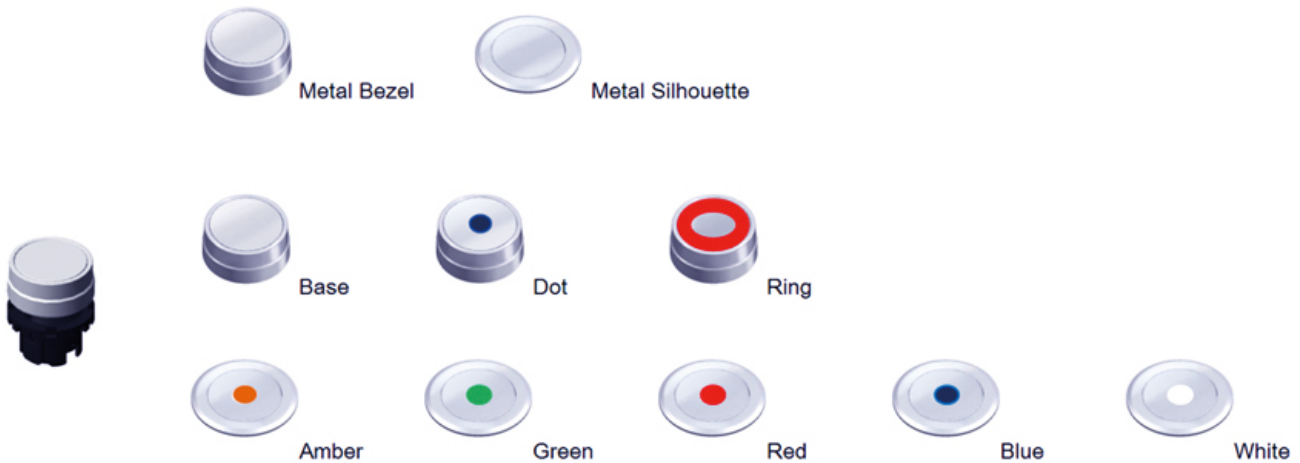
- For a mounting hole diameter of 22 mm / 30 mm
- Contact blocks with silver contacts
- Degree of Protection. IP65
- Three different top type; Flush, Prominent or Domed



## Technical data

Rated Voltage	600V			
Rated Current	10A			
Operating Voltage(AC/DC)	24V	120V	240V	380V
AC(50/60 Hz) Resistive Load	10A	10A	6.0A	2.0A
AC(50/60 Hz) Inductive Load	10A	6.0A	3.0A	1.9A
DC Resistive Load	8.0A	2.2A	1.1A	
DC Inductive Load	4.0A	1.1A	0.55A	
Dielectric Strength	Between live part and ground: 2,000V AC, 1 min. Between terminals of the same poles: 1,000V AC, 1 min.			
Contact Resistance	50 mΩ maximum (initial value)			
Insulation Resistance	100 MΩ minimum (500V DC)			
Operating Humidity	45 to 85% RH (no condensation)			
Storage Temperature	- 30 to +80°C (no freezing)			
Operating Temperature	- 25 to +55°C (no freezing)			
Vibration Resistance	Operating extremes/Damage limits: 5 to 55 Hz, amplitude 0.5 mm			
Shock Resistance	Damage limits: 1,000 m/s <sup>2</sup> Operating extremes: 100 m/s <sup>2</sup>			
Mechanical Life	Momentary: 1,000,000 Maintained: 100,000			
Electrical Life	100,000			
Degree of Protection	IP 65			
Terminal Style	Contact Block			

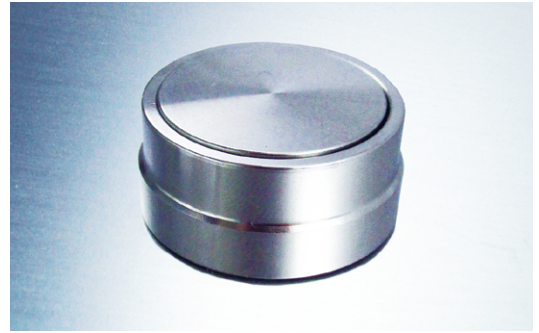
## Selection diagram



# Vandal Resistant Switch

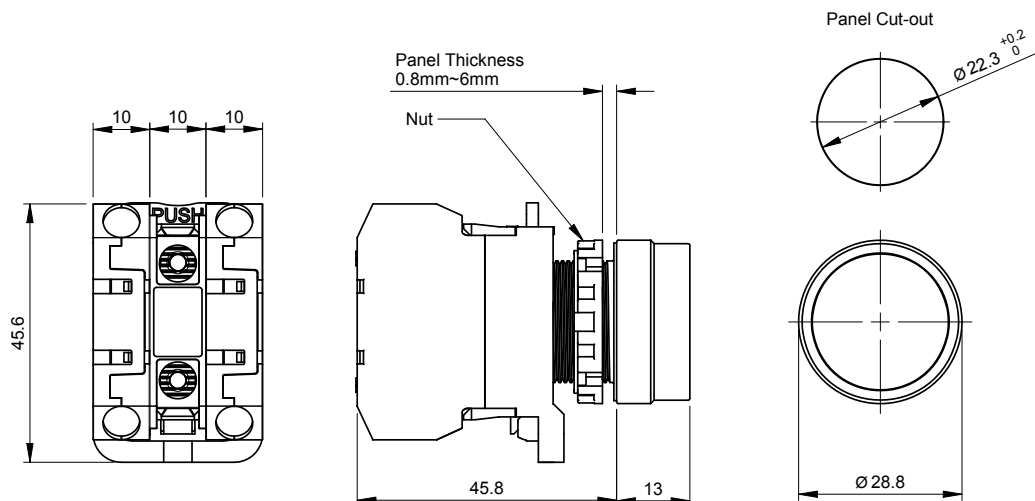
## A20 Vandal Resistant Switch

A20 Flush Vandal Resistant Switch-Metal Bezel



Operation	Contacts	Type No.	◆ LED Voltage	▲ LED Color Code	▼ Material/Finish
Momentary	1NO	A20 ▼ B-M1E10-B	-	-	5:Aluminum 6:Dark Aluminum 7:Stainless Steel
	1NC	A20 ▼ B-M1E01-B			
	2NO	A20 ▼ B-M1E20-B			
	2NC	A20 ▼ B-M1E02-B			
	1NO+1NC	A20 ▼ B-M1E11-B			
Maintained	1NO	A20 ▼ B-A1E10-B			
	1NC	A20 ▼ B-A1E01-B			
	2NO	A20 ▼ B-A1E20-B			
	2NC	A20 ▼ B-A1E02-B			
	1NO+1NC	A20 ▼ B-A1E11-B			

### ■ Dimensions



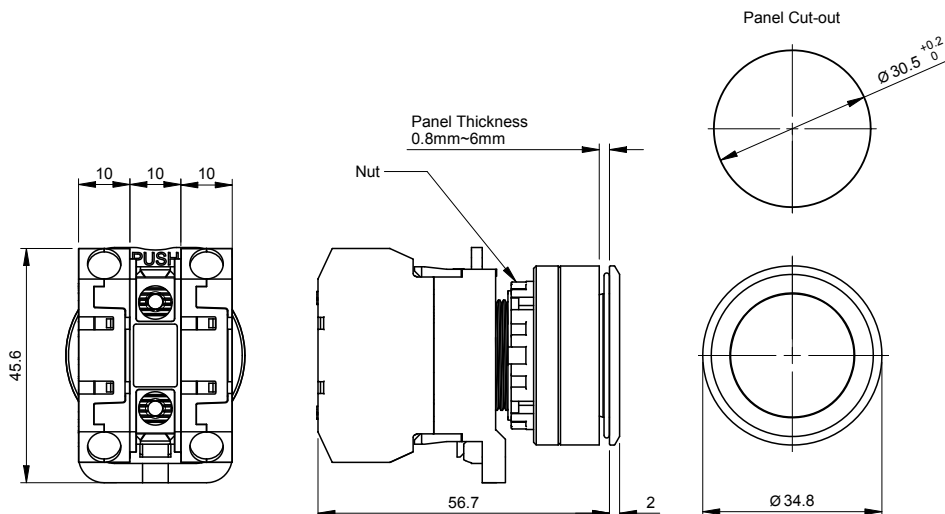
## A20 Vandal Resistant Switch

A20 Flush Vandal Resistant Switch-Metal Silhouette



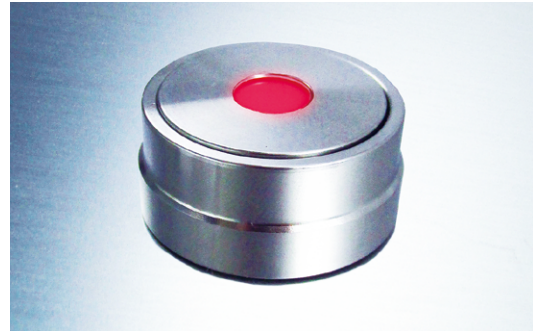
Operation	Contacts	Type No.	◆ LED Voltage	▲ LED Color Code	▼ Material/Finish
Momentary	1NO	A20 ▼ B-M1E10-BU	-	-	5:Aluminum 6:Dark Aluminum 7:Stainless Steel
	1NC	A20 ▼ B-M1E01-BU			
	2NO	A20 ▼ B-M1E20-BU			
	2NC	A20 ▼ B-M1E02-BU			
	1NO+1NC	A20 ▼ B-M1E11-BU			
Maintained	1NO	A20 ▼ B-A1E10-BU			
	1NC	A20 ▼ B-A1E01-BU			
	2NO	A20 ▼ B-A1E20-BU			
	2NC	A20 ▼ B-A1E02-BU			
	1NO+1NC	A20 ▼ B-A1E11-BU			

### ■ Dimensions



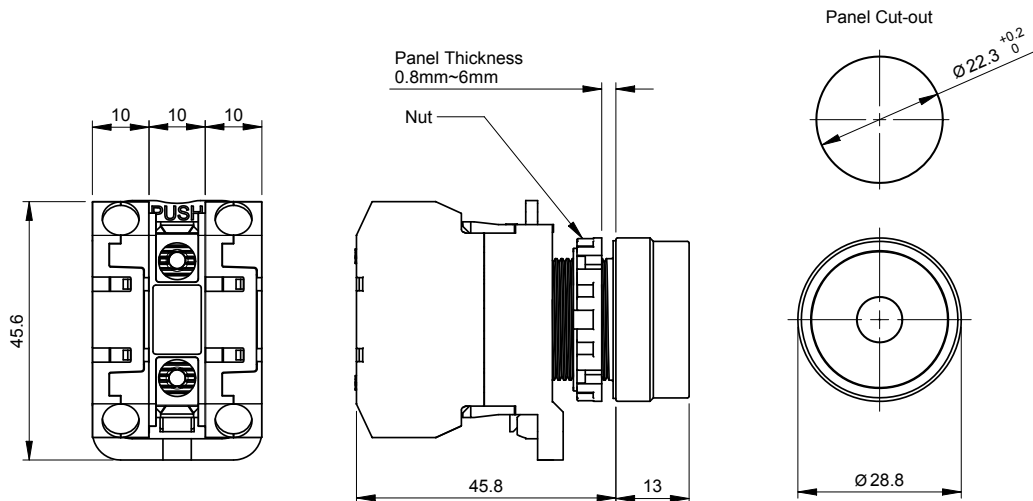
## A20 Illuminated Vandal Resistant Switch

A20 Flush Illuminated Vandal Resistant Switch-Metal Bezel-Dot



Operation	Contacts	Type No.	◆ LED Voltage	▲ LED Color Code	▼ Material/Finish
Momentary	1NO	A20 ▼ L-M1DE10 ◆▲ -B	Q2: 6V AC/DC Q3: 12VAC/DC Q4: 24V AC/DC QH: 110V AC/DC QM3: 230/240V AC/DC	A: Amber G: Green R: Red S: Blue W: White	5:Aluminum 6:Dark Aluminum 7:Stainless Steel
	1NC	A20 ▼ L-M1DE01 ◆▲ -B			
	2NO	A20 ▼ L-M1DE20 ◆▲ -B			
	2NC	A20 ▼ L-M1DE02 ◆▲ -B			
	1NO+1NC	A20 ▼ L-M1DE11 ◆▲ -B			
Maintained	1NO	A20 ▼ L-A1DE10 ◆▲ -B			
	1NC	A20 ▼ L-A1DE01 ◆▲ -B			
	2NO	A20 ▼ L-A1DE20 ◆▲ -B			
	2NC	A20 ▼ L-A1DE02 ◆▲ -B			
	1NO+1NC	A20 ▼ L-A1DE11 ◆▲ -B			

### Dimensions



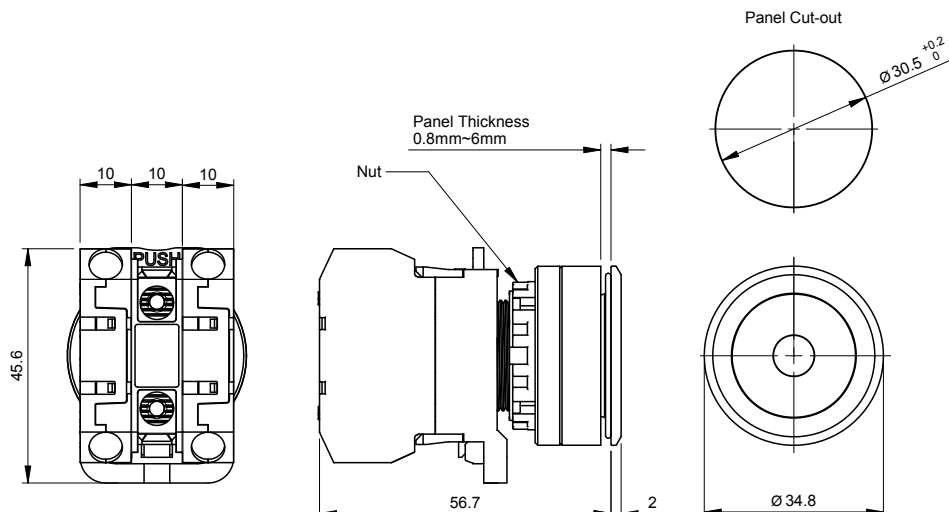
## A20 Illuminated Vandal Resistant Switch

A20 Illuminated Flush Vandal Resistant Switch-Metal Silhouette-Dot



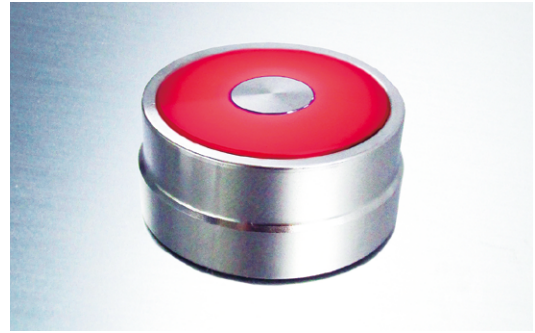
Operation	Contacts	Type No.	◆ LED Voltage	▲ LED Color Code	▼ Material/Finish
Momentary	1NO	A20 ▼ L-M1DE10 ◆▲ -BU	Q2: 6V AC/DC Q3: 12VAC/DC Q4: 24V AC/DC QH: 110V AC/DC QM3: 230/240V AC/DC	A: Amber G: Green R: Red S: Blue W: White	5:Aluminum 6:Dark Aluminum 7:Stainless Steel
	1NC	A20 ▼ L-M1DE01 ◆▲ -BU			
	2NO	A20 ▼ L-M1DE20 ◆▲ -BU			
	2NC	A20 ▼ L-M1DE02 ◆▲ -BU			
	1NO+1NC	A20 ▼ L-M1DE11 ◆▲ -BU			
Maintained	1NO	A20 ▼ L-A1DE10 ◆▲ -BU			
	1NC	A20 ▼ L-A1DE01 ◆▲ -BU			
	2NO	A20 ▼ L-A1DE20 ◆▲ -BU			
	2NC	A20 ▼ L-A1DE02 ◆▲ -BU			
	1NO+1NC	A20 ▼ L-A1DE11 ◆▲ -BU			

### Dimensions



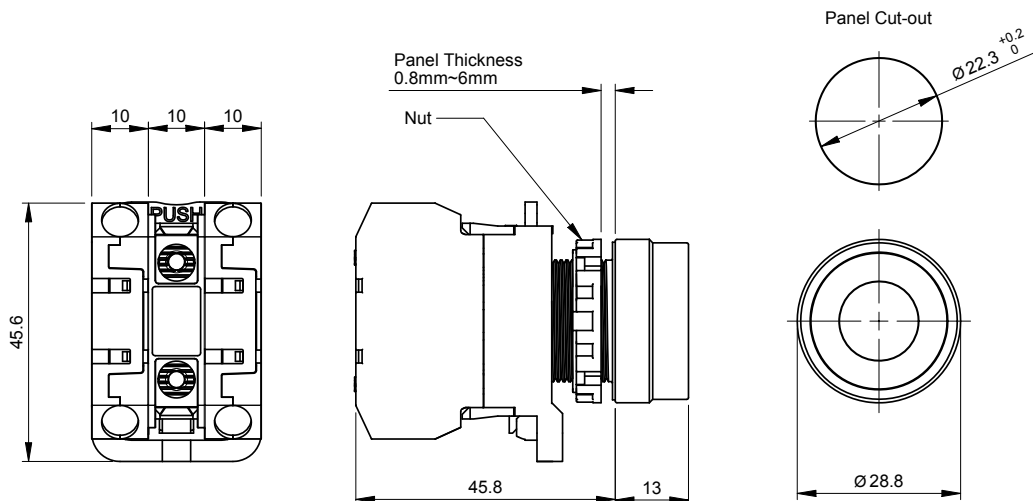
## A20 Illuminated Vandal Resistant Switch

A20 Flush Illuminated Vandal Resistant Switch-Metal Bezel-Ring



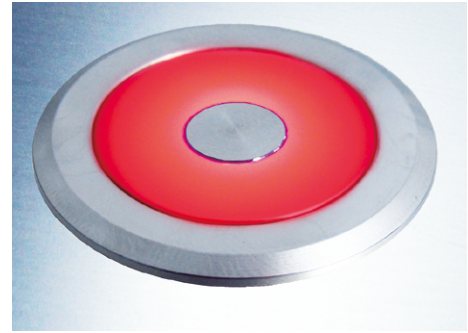
Operation	Contacts	Type No.	◆ LED Voltage	▲ LED Color Code	▼ Material/Finish
Momentary	1NO	A20 ▼ L-M1RE10 ◆▲ -B	Q2: 6V AC/DC Q3: 12VAC/DC Q4: 24V AC/DC QH: 110V AC/DC QM3: 230/240V AC/DC	A: Amber G: Green R: Red S: Blue W: White	5:Aluminum 6:Dark Aluminum 7:Stainless Steel
	1NC	A20 ▼ L-M1RE01 ◆▲ -B			
	2NO	A20 ▼ L-M1RE20 ◆▲ -B			
	2NC	A20 ▼ L-M1RE02 ◆▲ -B			
	1NO+1NC	A20 ▼ L-M1RE11 ◆▲ -B			
Maintained	1NO	A20 ▼ L-A1RE10 ◆▲ -B			
	1NC	A20 ▼ L-A1RE01 ◆▲ -B			
	2NO	A20 ▼ L-A1RE20 ◆▲ -B			
	2NC	A20 ▼ L-A1RE02 ◆▲ -B			
	1NO+1NC	A20 ▼ L-A1RE11 ◆▲ -B			

### ■ Dimensions



## A20 Illuminated Vandal Resistant Switch

A20 Illuminated Flush Vandal Resistant Switch-Metal Silhouette-Ring



Operation	Contacts	Type No.	◆ LED Voltage	▲ LED Color Code	▼ Material/Finish
Momentary	1NO	A20 ▼ L-M1RE10 ◆▲ -BU	Q2: 6V AC/DC Q3: 12VAC/DC Q4: 24V AC/DC QH: 110V AC/DC QM3: 230/240V AC/DC	A: Amber G: Green R: Red S: Blue W: White	5:Aluminum 6:Dark Aluminum 7:Stainless Steel
	1NC	A20 ▼ L-M1RE01 ◆▲ -BU			
	2NO	A20 ▼ L-M1RE20 ◆▲ -BU			
	2NC	A20 ▼ L-M1RE02 ◆▲ -BU			
	1NO+1NC	A20 ▼ L-M1RE11 ◆▲ -BU			
Maintained	1NO	A20 ▼ L-A1RE10 ◆▲ -BU			
	1NC	A20 ▼ L-A1RE01 ◆▲ -BU			
	2NO	A20 ▼ L-A1RE20 ◆▲ -BU			
	2NC	A20 ▼ L-A1RE02 ◆▲ -BU			
	1NO+1NC	A20 ▼ L-A1RE11 ◆▲ -BU			

### Dimensions

