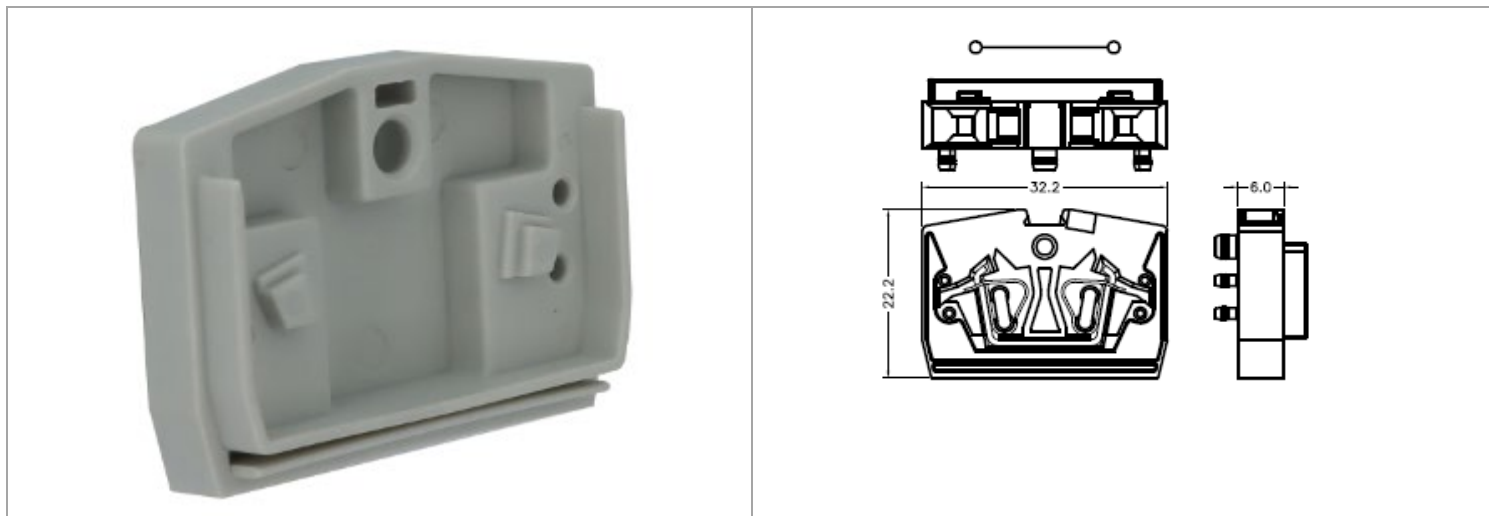


SDUNS2.5-B



目錄僅供參考，實際規格仍依照產品工程圖面為準

產品介紹 Product Description

標準法規 Standards and Regulations

IEC連接數據 IEC Connection data (60947-7-1)



額定電壓 (V) Rated voltage (V)	800
額定電流 (A) Rated current (A)	24
導線橫截面積 (mm ²) Conductor cross section (mm ²)	0.08mm ² ~ 2.5mm ²

CSA連接數據 CSA Connection data

額定電壓 (V) Rated voltage (V)	600
額定電流 (A) Rated current (A)	15
線徑範圍 (AWG) Wire Range (AWG)	28~12

UL連接數據 UL Connection data

額定電壓 (V) Rated voltage (V)	600
額定電流 (A) Rated current (A)	15
線徑範圍 (AWG) Wire Range (AWG)	28~12

CUL連接數據 CUL Connection data




額定電壓 (V) Rated voltage (V)	600
額定電流 (A) Rated current (A)	15
線徑範圍 (AWG) Wire Range (AWG)	28~12

商務資料 Key Commercial Data

包裝單位 Packing unit	1 PCS
MOQ Minimum order quantity	25 PCS
條碼GTIN	
產品重量 Weight per Piece (excluding packing)	3.81 g
訂貨碼 Custom tariff number	
原產地Country of origin	CN

材料資訊 Material information

絕緣材料 Insulating material	PA66
--------------------------	------

符合UL 94的可燃性等級 Flammability rating according to UL 94	V0
產品顏色 Color	
最大工作溫度°C Continuous operating temp., max.	105°C
最小工作溫度°C Continuous operating temp., min.	-40°C

外型尺寸 Dimensions

寬度 Width	32.2 mm
長度 Length	6 mm
高度 Height	22.2 mm

一般資訊 General information

產品連接數 Number of connections	2
產品電位 Potentials	1
安裝指導 Installation Advice	Without push-buttons; with fixing flange; for screw or similar mounting types ;fixing hole 3.1mm 帶有固定耳，適用於螺絲或類似安裝類型，固定孔3.1mm
應用領域 Area of application	機電工程 能源工程 機械工程 運輸工程 自動工程
額定浪湧電壓 Rated surge voltage	8 Kv
汙染程度 Degree of pollution	3
過電壓類別 Overvoltage category	III
絕緣材料組 Insulating material group	I
側邊為開放式 Open side panel	yes
手背防護 Back of the hand protection	guaranteed
手指保護 Finger protection	guaranteed

連接數據 Connection data

連接 Connection	1
連接方式 Connection method	Cage clamp
撥線長度 Stripping length	8~9 mm
針對管狀端頭 H1/10 和 H1.5/10 須應用的剝線長度 For the wire end ferrules H1/10 and H1.5/10 of stripping length is to apply.	8~9 mm
導線連接截面積，多股導線，帶管狀端頭 DIN 46228/1 Wire connection cross-section, stranded conductor with wire-end ferrules DIN 46228/1	1.5 mm ²
導線連接截面積，多股導線，帶管狀端頭 DIN 46228/4 Wire connection cross-section, stranded conductor with wire-end ferrules DIN 46228/4	1.5 mm ²
螺絲刀口尺寸 Blade size	0.5 x 3 mm

環保產品合規 Environmental Product Compliance

China RoHS	
------------	--

RoHS
Compliant