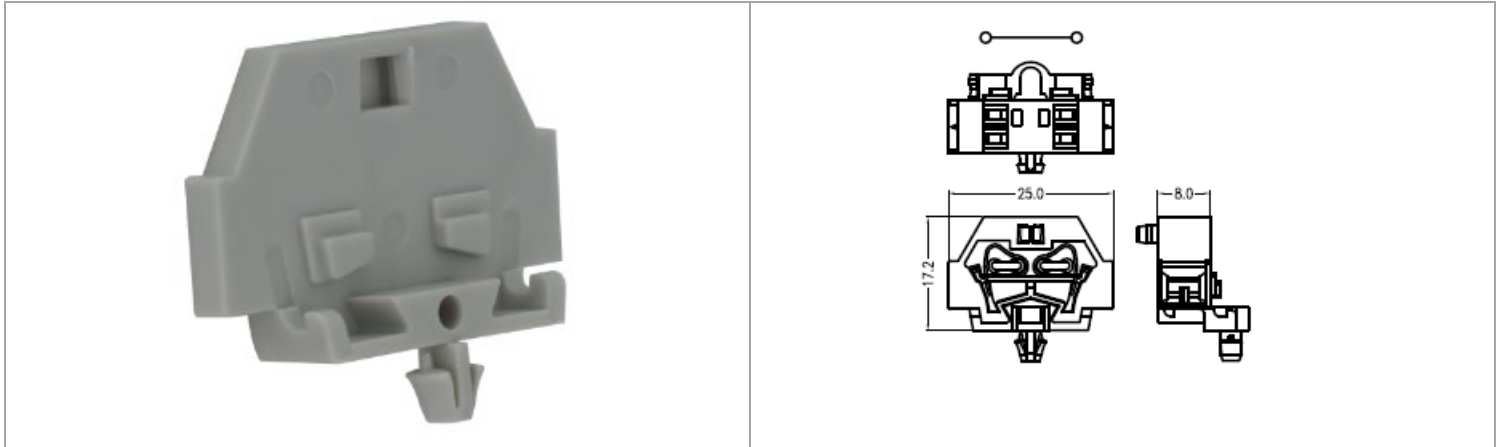


## SDUB1.5/2-B



目錄僅供參考，實際規格仍依照產品工程圖面為準

### 產品介紹 Product Description

### 標準法規 Standards and Regulations

#### IEC 連接數據 IEC Connection data (60947-7-1)



|  |   |
|--|---|
| 額定電壓 (V) Rated voltage (V)   | 400                                     |
| 額定電流 (A) Rated current (A)   | 17.5                                    |
| 導線橫截面積 (mm <sup>2</sup> ) Conductor cross section (mm <sup>2</sup> ) | 0.2mm <sup>2</sup> ~ 1.5mm <sup>2</sup> |

#### CSA 連接數據 CSA Connection data

|                             |       |
|-----------------------------|-------|
| 額定電壓 (V) Rated voltage (V)  | 300   |
| 額定電流 (A) Rated current (A)  | 15    |
| 線徑範圍 (AWG) Wire Range (AWG) | 28~16 |

#### UL 連接數據 UL Connection data

|                             |       |
|-----------------------------|-------|
| 額定電壓 (V) Rated voltage (V)  | 300   |
| 額定電流 (A) Rated current (A)  | 10    |
| 線徑範圍 (AWG) Wire Range (AWG) | 28~16 |

#### CUL 連接數據 CUL Connection data




|                             |       |
|-----------------------------|-------|
| 額定電壓 (V) Rated voltage (V)  | 300   |
| 額定電流 (A) Rated current (A)  | 10    |
| 線徑範圍 (AWG) Wire Range (AWG) | 28~16 |

### 商務資料 Key Commercial Data

|   |        |
|---|--------|
| 包裝單位 Packing unit                         | 1 PCS  |
| MOQ Minimum order quantity                | 25 PCS |
| 條碼GTIN                                    |        |
| 產品重量 Weight per Piece (excluding packing) | 2.61 g |
| 訂貨碼 Custom tariff number                  |        |
| 原產地Country of origin                      | CN     |

### 材料資訊 Material information

|  |      |
|--|------|
| 絕緣材料 Insulating material                             | PA66 |
| 符合UL 94的可燃性等級 Flammability rating according to UL 94 | V0   |

|   |   |
|---|---|
| 產品顏色 Color                                |  |
| 最大工作溫度°C Continuous operating temp., max. | 105°C   |
| 最小工作溫度°C Continuous operating temp., min. | -40°C   |

## 外型尺寸 Dimensions

|           |         |
|-----------|---------|
| 寬度 Width  | 25 mm   |
| 長度 Length | 8 mm    |
| 高度 Height | 17.2 mm |

## 一般資訊 General information

|                                  |  |
|----------------------------------|--|
| 產品連接數 Number of connections      | 4  |
| 產品電位 Potentials                  | 1  |
| 安裝指導 Installation Advice         | With anap-in mounting foot; for plate thickness 0.6-1.2mm ;fixing 3.5mm φ<br>帶有嵌入式安裝腳，適用於板厚度0.6-1.2mm，固定孔3.5mm φ |
| 應用領域 Area of application         | 機電工程   |
|                                  | 能源工程   |
|                                  | 機械工程   |
|                                  | 運輸工程   |
|                                  | 自動工程   |
| 額定浪湧電壓 Rated surge voltage       | 6 Kv   |
| 汙染程度 Degree of pollution         | 3  |
| 過電壓類別 Overvoltage category       | III  |
| 絕緣材料組 Insulating material group  | I  |
| 側邊為開放式 Open side panel           | yes  |
| 手背防護 Back of the hand protection | guaranteed   |
| 手指保護 Finger protection           | guaranteed   |

## 連接數據 Connection data

|  |                     |
|--|---------------------|
| 連接 Connection  | 1                   |
| 連接方式 Connection method   | Cage clamp          |
| 撥線長度 Stripping length  | 8~9 mm              |
| 針對管狀端頭 H1/10 和 H1.5/10 須應用的剝線長度 For the wire end ferrules H1/10 and H1.5/10 of stripping length is to apply.           | 8~9 mm              |
| 導線連接截面積，多股導線，帶管狀端頭 DIN 46228/1<br>Wire connection cross-section, stranded conductor with wire-end ferrules DIN 46228/1 | 1.5 mm <sup>2</sup> |
| 導線連接截面積，多股導線，帶管狀端頭 DIN 46228/4<br>Wire connection cross-section, stranded conductor with wire-end ferrules DIN 46228/4 | 1.5 mm <sup>2</sup> |
| 螺絲刀口尺寸 Blade size  | 0.5 x 3mm           |
|  |                     |
|  |                     |

## 環保產品合規 Environmental Product Compliance

|            |  |
|------------|--|
| China RoHS |  |
|------------|--|

**RoHS**  
Compliant