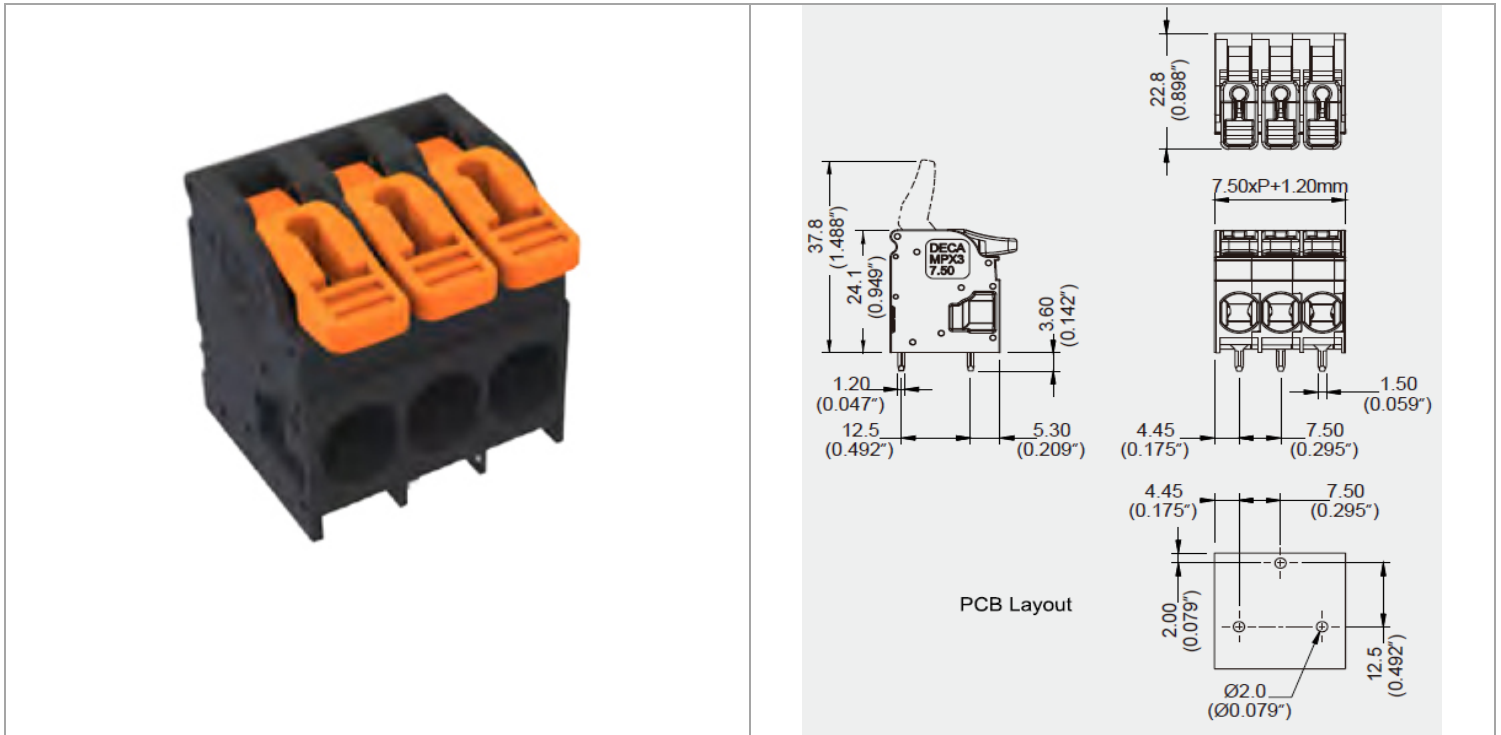


## MPX312-750401K

端子台 > 歐規端子台



目錄僅供參考，實際規格仍依照產品工程圖面為準

### 產品介紹 Product Description

PCB Terminal Blocks , Push in, Pitch : 7.50 mm / Product data IEC: 400/ 41A (III/2) / Product data UL: 600V, 30A

### 一般資料 General information

|                                      |                    |
|--------------------------------------|--------------------|
| 產品類型 Category                        | PCB Terminal Block |
| Conductor entry angle to the PCB     | 0°                 |
| 產品間距 (mm) Pitch (mm)                 | 7.50               |
| 產品顏色 Color                           | Black (default)    |
| 接線方式 Connection method               | Push in            |
| 固定方式 Type of locking                 | Without            |
| 焊接方式 Soldering method                | Wave soldering     |
| 產品長度 (mm) Length (mm)                | 7.50xP + 1.20      |
| 產品寬度 (mm) Width (mm)                 | 19.8               |
| 產品高度 (mm) Height (mm)                | 24.1               |
| 出腳長度 (mm) Solder pin length (mm)     | 3.6                |
| 出腳尺寸 (mm) Solder pin dimensions (mm) | 1.5×1.2            |
| 焊孔直徑 (mm) PCB hole diameter (mm)     | 2                  |
| 位數 Number of positions               | 1                  |
| 產品層數 Number of levels                | 1                  |

### 材料資訊 Material information

|   |              |
|---|--------------|
| 絕緣材料 Insulating material                          | PA66         |
| 絕緣材料組別 Insulating material group                  | I            |
| 耐燃等級，符合UL94 Flammability rating according to UL94 | V0           |
| 導體材料 Contact material                             | Copper alloy |
| 導體表面鍍層 Plating of contact surface                 | tin plated   |

## 連接數據-IEC Connection data-IEC

|   |        |
|---|--------|
| 額定電流 (A) Rated current (A)  | 41     |
| 額定電壓 (II/2)(V) Rated voltage (II/2)(V)  | 800    |
| 額定電壓 (III/2)(V) Rated voltage (III/2) (V)   | 400    |
| 額定電壓 (III/3)(V) Rated voltage (III/3)(V)  | 400    |
| 額定沖擊電壓 (II/2)(KV) Rated impulse voltage (II/2)(KV)  | 6      |
| 額定沖擊電壓 (III/2)(KV) Rated impulse voltage (III/2)(KV)  | 6      |
| 額定沖擊電壓 (III/3)(KV) Rated impulse voltage (III/3)(KV)  | 6      |
| 最小實心導線橫截面積 (mm <sup>2</sup> ) Conductor cross section solid, min. (mm <sup>2</sup> )  | 0.2    |
| 最大實心導線橫截面積 (mm <sup>2</sup> ) Conductor cross section solid, max. (mm <sup>2</sup> )  | 6.0    |
| 最小軟導線橫截面積 (mm <sup>2</sup> ) Conductor cross section flexible, min. (mm <sup>2</sup> )  | 0.2    |
| 最大軟導線橫截面積 (mm <sup>2</sup> ) Conductor cross section flexible, max. (mm <sup>2</sup> )  | 6.0    |
| 軟導線橫截面積，最小管型裸端子 (mm <sup>2</sup> ) Conductor cross section flexible, with ferrule without plastic sleeve, min. (mm <sup>2</sup> )   | 0.2    |
| 軟導線橫截面積，最大管型裸端子 (mm <sup>2</sup> ) Conductor cross section flexible, with ferrule without plastic sleeve, max. (mm <sup>2</sup> )   | 6.0    |
| 軟導線橫截面積，最小管狀預絕緣端子 (mm <sup>2</sup> ) Conductor cross section flexible, with ferrule with plastic sleeve, min. (mm <sup>2</sup> )  | 0.2    |
| 軟導線橫截面積，最大管狀預絕緣端子 (mm <sup>2</sup> ) Conductor cross section flexible, with ferrule with plastic sleeve, max. (mm <sup>2</sup> )  | 6.0    |
| 具有相同截面積的二根最小軟導線橫截面積，最小管狀預絕緣TWIN端子 (mm <sup>2</sup> )<br>2 conductors with same cross section flexible, with TWIN ferrule with plastic sleeve min. (mm <sup>2</sup> )                    | 0.5    |
| 具有相同截面積的二根最小軟導線橫截面積，最大管狀預絕緣TWIN端子 (mm <sup>2</sup> ) (mm <sup>2</sup> )<br>2 conductors with same cross section flexible, with TWIN ferrule with plastic sleeve max. (mm <sup>2</sup> ) | 1.5    |
| 一字螺絲刀規格 (刃厚__x刃寬__)(mm) Slotted screwdriver size (Blade thickness x Width)(mm)  | 本系列免工具 |
| 剝線長度 (mm) Stripping Length (mm)   | 12~13  |

## 連接數據-UL Connection data-UL

|   |     |
|---|-----|
| 額定電壓 (UL/CUL 標準B組)(V) Rated voltage (UL/CUL use group B)(V)             | 300 |
| 額定電流 (UL/CUL 標準B組)(A) Rated current (UL/CUL use group B)(A)             | 30  |
| 額定電壓 (UL/CUL 標準C組)(V) Rated voltage (UL/CUL use group C)(V)             | 300 |
| 額定電流 (UL/CUL 標準C組)(A) Rated current (UL/CUL use group C)(A)             | 30  |
| 額定電壓 (UL/CUL 標準D組)(V) Rated voltage (UL/CUL use group D)(V)             | 600 |
| 額定電流 (UL/CUL 標準D組)(A) Rated current (UL/CUL use group D)(A)             | 5   |
| 最小實心導線(AWG)，符合UL/CUL<br>Min. solid wire connection (AWG) acc. to UL/CUL | 24  |

|  |    |
|--|----|
| 最大實心導線(AWG)，符合UL/CUL<br>Max. solid wire connection AWG acc. to UL/CUL    | 10 |
| 最小多芯導線(AWG)，符合UL/CUL<br>Min. stranded wire connection AWG acc. to UL/CUL | 24 |
| 最大多芯導線(AWG)，符合UL/CUL<br>Max. stranded wire connection AWG acc. to UL/CUL | 10 |

## 環境與安全 Environment & Safety

|   |     |
|---|-----|
| Storage temperature, min. (°C)              | -25 |
| Storage temperature, max. (°C)              | 55  |
| Max. relative humidity during storage       | 70% |
| 備註：以上三欄位為我司端子未來之標準儲存溫度及濕度                   |     |
| 最高工作溫度 (°C) Operating temperature. max (°C) | 105 |
| 最低工作溫度 (°C) Operating temperature. min (°C) | -40 |

## Packaging information

|                             |     |
|-----------------------------|-----|
| Type of packaging (2 pole)  | Box |
| pieces per package (2 pole) | 待查詢 |
| Type of packaging (3 pole)  | Box |
| pieces per package (3 pole) | 待查詢 |
| Type of packaging (4 pole)  | Box |
| pieces per package (4 pole) | 待查詢 |

## 認證 Approvals

