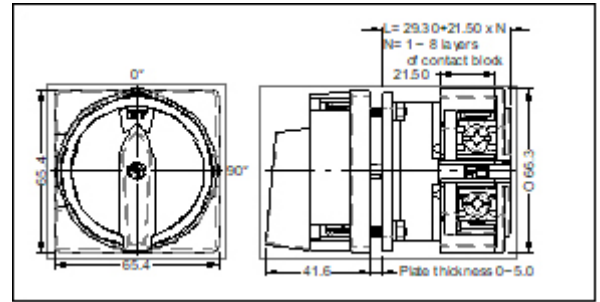


K63



目錄僅供參考，實際規格仍依照產品工程圖面為準

產品介紹 Product Description

產品規格

Rated Insulation Voltage U_i 額定絕緣電壓 (U_i)	690V
Rated Impulse Withstand Voltage U_{imp} 額定衝擊耐受電壓 (U_{imp})	6KV
Rated Thermal Current I_u/I_{th} 額定通電電流 (I_u/I_{th})	63A
額定使用電流 AC-15 220 V-240 V	16A
額定使用電流 AC-15 380 V-440 V	7A
Breaking capacity 220 V-240 V	550A
Breaking capacity 380 V-440 V	550A
Breaking capacity 660 V-690 V	365A
Max. fuse size (gG-characteristic)	63A
Rated short-time withstand current (1s-current)	1000A
Ambient Temperature of Stages open at 100% I_u/I_{th} 開放空間環境溫度	-25~55°C during 24 hrs with peaks up to 60°C
Ambient Temperature of Stages enclosed at 100% I_{th} 密閉空間環境溫度	
Staget temperature (in case of temperature below -5°C no shock load permissible) 儲存溫度	-40 to 85°C
AC-3 3 phase 3 pole 220 V-240 V	11 kW
AC-3 3 phase 3 pole 380 V-440 V	18.5 kW
AC-3 3 phase 3 pole 500 V	18.5 kW
AC-3 3 phase 3 pole 660 V-690 V	18.5 kW
AC-3 1 phase 2 pole 220 V-240 V	6 kW
AC-3 1 phase 2 pole 380 V-440 V	11 kW
AC-23 3 phase 3 pole 220 V-240 V	15 kW
AC-23 3 phase 3 pole 380 V-440 V	30 kW
AC-23 3 phase 3 pole 500 V	45 kW
AC-23 3 phase 3 pole 660 V-690 V	40 kW
DOL-Rating (similar AC-3) 3 phase 3 pole 220 V-240 V	15 HP
DOL-Rating (similar AC-3) 1 phase 2 pole 220 V-240 V	7.5 HP
Max Permissible Wire Gage - Use copper wire only	2x
Single-core or standard wire	16 mm ²
Single-core or standard wire	6 AWG
Flexible wire	10 mm ²
(sleeving in accordance with DIN 46228)	(10) mm ²
Flexible AWG wires (without sleeve)	6 AWG

Tightening torque of screws	2.7~3.0 Nm
防護等級 (option)	IP40~65
機械壽命	1000000次
容許操作頻率-電氣	100次/h (參考)
線徑	6 AWG

外觀尺寸

外觀圖(含尺寸)	圖示 (mm)
尺寸 產品淨寬	圖示 (mm)
尺寸 產品淨高	圖示 (mm)
尺寸 產品淨長	圖示 (mm)
接點塊層數	圖示 (1~8層)

安裝說明

安裝孔說明 (mm)	圖示 (mm)
面板厚度 (mm)	圖示 (mm)

安全認證

UL,CSA,3C,EAC,Russian Federation,Lloyds Register EMEA...	CE,3C
IEC60947-3,EN60947-3, VDE 0660 part 107...	符合標準規範