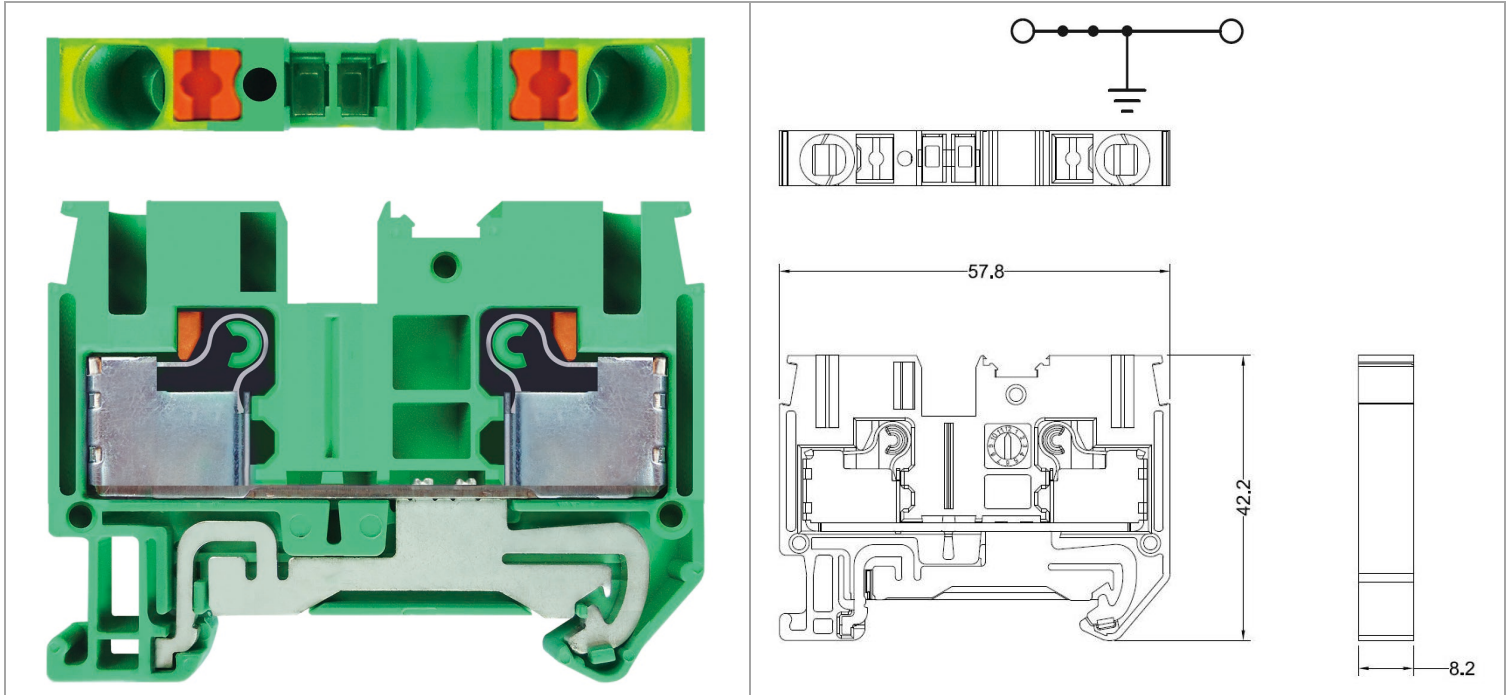


## DPT6-PE

端子台 > Push-in軌道式接線端子台



目錄僅供參考，實際規格仍依照產品工程圖面為準

### 產品介紹 Product Description

### 標準法規 Standards and Regulations

#### IEC認證參數 IEC Connection data (60947-7-2)

額定電壓Nominal voltage UN	1000V
mm <sup>2</sup> /AWG/kcmil	0.5 ~6.0

#### UL認證參數UL Recognized

B	
額定電壓Nominal voltage UN	600V
mm <sup>2</sup> /AWG/kcmil	20~8
C	
額定電壓Nominal voltage UN	600V
mm <sup>2</sup> /AWG/kcmil	20~8

#### cUL認證參數cUL Recognized


B	
額定電壓Nominal voltage UN	600V
mm <sup>2</sup> /AWG/kcmil	20~8
C	
額定電壓Nominal voltage UN	600V
mm <sup>2</sup> /AWG/kcmil	20~8

### 商務資料 Key Commercial Data

包裝單位 Packing unit	1 PCS
MOQ Minimum order quantity	50PCS
條碼GTIN	

產品重量 Weight per Piece (excluding packing)	21.09g
訂貨碼 Custom tariff number	
原產地Country of origin	CN

## 材料資訊 Material information

絕緣材料Insulating material	PA66
符合UL 94的可燃性等級 Flammability rating according to UL 94	V0
產品顏色 Color	
最大工作溫度°C Continuous operating temp., max.	105°C
最小工作溫度°C Continuous operating temp., min.	-40°C

## 外型尺寸 Dimensions

寬度 Width	57.8mm
長度Length	8.2mm
高度Height	42.2mm
高度Height NS 35/7,5	43.7mm
高度Height NS 35/15	51.2mm

## 一般資訊 General information

產品連接數Number of connections	2
產品電位Potentials	1
標籤寬度Nominal cross section	8.2mm
安裝指導Installation Advice	Rail Mounting(導軌安裝)
應用領域 Area of application	鐵路行業
	機械製造
	工廠工程
軌道條Type of mounting	TS35/7.5
	TS35/15
額定浪湧電壓 Rated surge voltage	8 Kv
汙染程度 Degree of pollution	3
過電壓類別 Overvoltage category	III
絕緣材料組 Insulating material group	I
側邊為開放式 Open side panel	yes
手背防護Back of the hand protection	guaranteed
手指保護 Finger protection	guaranteed

## 連接數據 Connection data

連接 Connection	1
連接方式Connection method	Push in
撥線長度Stripping length	10~12mm
針對管狀端頭H1/10和H1.5/10須應用的剝線長度 For the wire end ferrules H1/10 and H1.5/10 of stripping length is to apply.	14mm
單芯導線 Solid conductor(mm <sup>2</sup> )	0.5 mm <sup>2</sup> ~6.0mm <sup>2</sup>
單芯導線 Solid conductor (AWG)	20~8AWG
細多芯導線 Fine-stranded conductor(mm <sup>2</sup> )	0.5 mm <sup>2</sup> ~6.0mm <sup>2</sup>
細多芯導線 Fine-stranded conductor (AWG)	20~8AWG
導線連接截面積，多股導線，帶管狀端頭 DIN 46228/1 Wire connection cross-section, stranded conductor with wire-end ferrules DIN 46228/1	0.5 mm <sup>2</sup> ~6.0mm <sup>2</sup>
導線連接截面積，多股導線，帶管狀端頭 DIN 46228/4	0.5 mm <sup>2</sup> ~6.0mm <sup>2</sup>



Wire connection cross-section, stranded conductor with wire-end ferrules DIN 46228/4	
螺絲刀口尺寸 Blade size	0.4 x 4.0 mm

## 環保產品合規 Environmental Product Compliance

China RoHS	
<b>RoHS</b> Compliant	