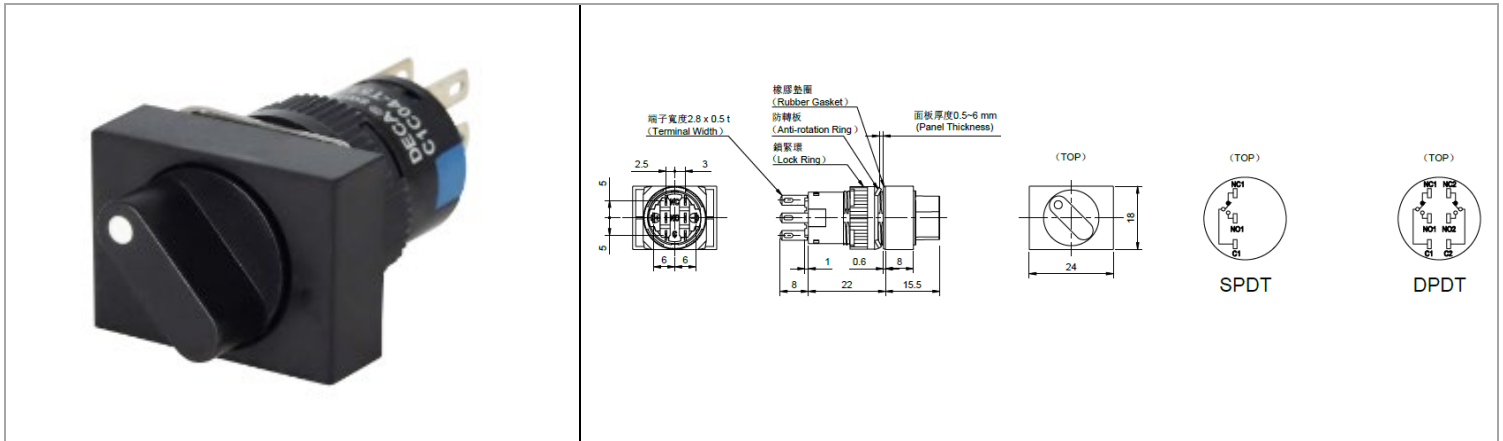


C1Cx-T5xxx-x

工業開關 > 金屬開關



目錄僅供參考，實際規格仍依照產品工程圖面為準

產品介紹 Product Description

應用標準 Application Standards

UL(UL508, CSA-C22.2 No. 14)	
AC General	125V/5A , 250V/5A
AC resistance	125V/5A , 250V/5A
DC resistance	24V/1A , 125V/0.2A , 250V/0.1A
CCC(GB/T14048.5-2017)	
Ui	250V
Ith	5A
Uimp	1.5kV
AC -12	12V/5A , 30V/5A , 125V/4A , 250V/2A
AC -15	12V/5A , 30V/5A , 125V/3A , 250V/1.5A
DC -12	12V/1A , 30V/1A , 125V/0.32A / 250V/0.16A
DC -13	12V/1A / 30V/1A / 125V/0.22A / 250V/0.11A
IP	IP40 , IP65

Without Lamp

C1C	-	-	-	-	-
Function	Shape	Degree of Protection	Selector Button Style	Color	Contant
04	R5: Round	1: IP40	1: General Cover	B: Blue	H10: DPDT
18	S5: Square	2: IP65		G: Green	H11: SPDT
20	T5: Rectangular			K: Black	
23				R: Red	
15				W: White	
24				Y: Yellow	

With Lamp

C1C	-	-	-	-	-
Function	Shape	Degree of Protection	Lamp Operating Voltage	Color	Contant
04	R5: Round	1: IP40	0: Without Lamp	B: Blue	H10: DPDT
18	S5: Square	2: IP65	H: LED 6V AC/DC	G: Green	H11: SPDT
20	T5: Rectangular		J: LED 12V AC/DC	O: Orange	
23			K: LED 24V AC/DC	P: Pure White	
15				R: Red	
24				W: White	
				Y: Yellow	

技術規格 Technical Data

Dielectric Strength	Switch Unit	<p>Between live part and dead metal part: 2,000V AC, 1 min.</p> <p>Between terminals of different poles: 1,500V AC, 1 min.</p> <p>Between terminals of the same poles: 1,500V AC, 1 min.</p> <p>Between Contact and lamp terminals: 1,500V AC, 1 min.</p>
	Illuminated Unit	<p>Between Live Part and ground: 2,000V AC, 1 min.</p>
Contact Resistance		50 mΩ maximum (initial value)
Insulation Resistance		100 MΩ minimum
Operating Humidity		45 to 85% RH (no condensation)
Storage Temperature		-30 to +80°C (no freezing)
Operating Temperature		-25 to +55°C (no freezing)
LED Operating Temperature		-25 to +55°C (no freezing)
Vibration Resistance		5 to 55 Hz, amplitude 0.75 mm
Shock Resistance		Damage limits: 500 m/s ² Operating extremes: 200 m/s ²
Mechanical Life		Momentary: 1,000,000 Maintained: 100,000
Electrical Life		50,000
Terminal Style		Solder terminal
Button travel (nominal)		2.8mm
Operating Force (nominal)		For 1NO1NC: 2 N For 2NO2NC: 3 N
Weight(approx.)		9g(C1C)
		10g(C1C) (Illuminated)
		6g(C1P)
		7g(C1S)
		8g(C1S) (Illuminated)
		9g(C1S04, C1S09)
		9g(C1K)