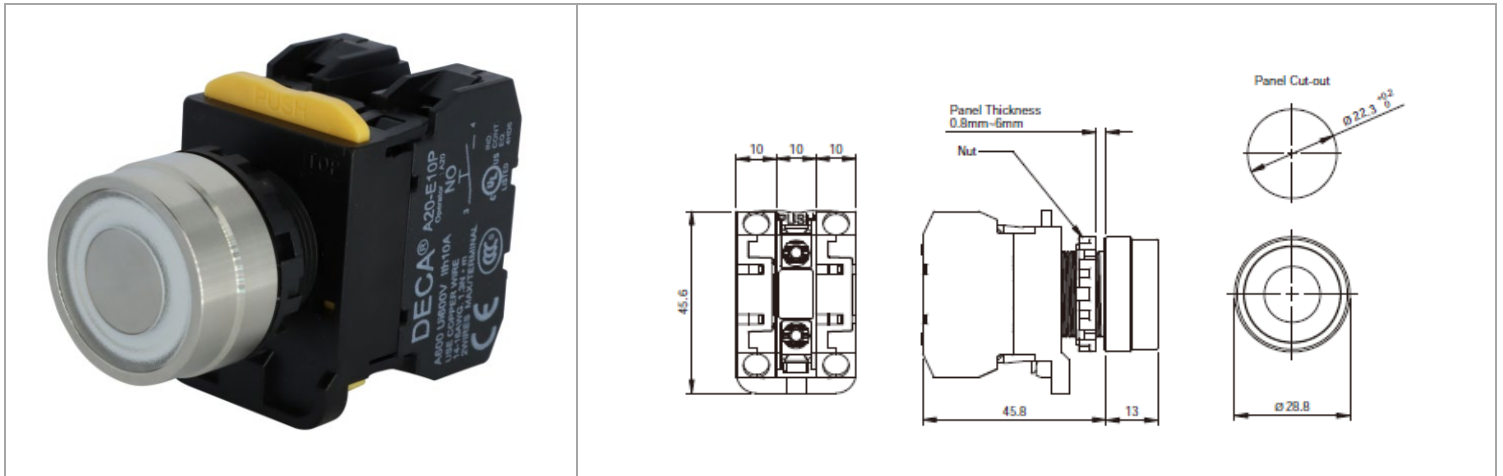


A20①L-②1RE③④⑤-B

工業開關 > Φ22A20開關控制元件



目錄僅供參考，實際規格仍依照產品工程圖面為準

產品介紹 Product Description

基本信息 Additional Information

| | |
|-----------------------|---|
| 產品系列 Series | M22 - ø22mm |
| 產品種類 Function | 模組式 Module |
| 產品型式 Type | 照光按鈕開關 Illuminated Pushbutton Switch |
| 面框材料① Bezel Material① | 5:鋁, 6: 鋁黑色, 7:不鏽鋼 5: Aluminum , 6: Dark Aluminum, 7:Stainless steel |
| 產品頭型 Shape | 平頭 Flush |
| 動作類型② Operator② | M:復歸, A:保持 M: Momentary, A:Maintained |
| 接點塊 ③ Block③ | 10:1NO, 01:1NC, 20: 2NO, 02:2NC, 11:1NO+1NC |
| 電壓④ Voltage④ | Q2: AC/DC 6V, Q3: AC/DC 12V, Q4: AC/DC 24V, QH: AC/DC 110V, QM3: AC/DC 230V |
| 顏色⑤ Color⑤ | A:琥珀色, R:紅色, G:綠色, S:藍色, W:白色 A:Amber, R:Red, G:Green, S:Blue, W:White |
| 線徑 Wire Diameter | 14~16AWG |

產品規格 Product Specification

| | | | | | |
|--------------------------------|-----------------------------|------|------|-------|------|
| Rated Insulation Voltage (Ui) | | 600V | | | |
| Rated Thermal Current (Ith) | | 10A | | | |
| Rated Operational Voltage (Ue) | | 24V | 120V | 240V | 380V |
| AC 50/60HZ | Resistive Load (AC-12) (Ie) | 10A | 10A | 6A | 2A |
| | Inductive Load (AC-15) (Ie) | 10A | 6A | 3A | 1.9A |
| DC | Resistive Load (DC-12) (Ie) | 8A | 2.2A | 1.1A | - |
| | Inductive Load (DC-13) (Ie) | 4A | 1.1A | 0.55A | - |

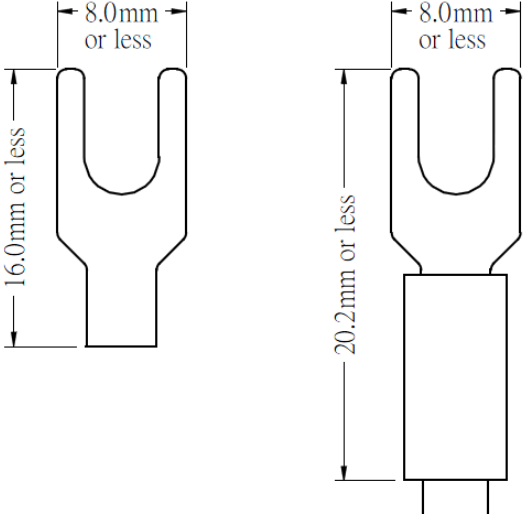
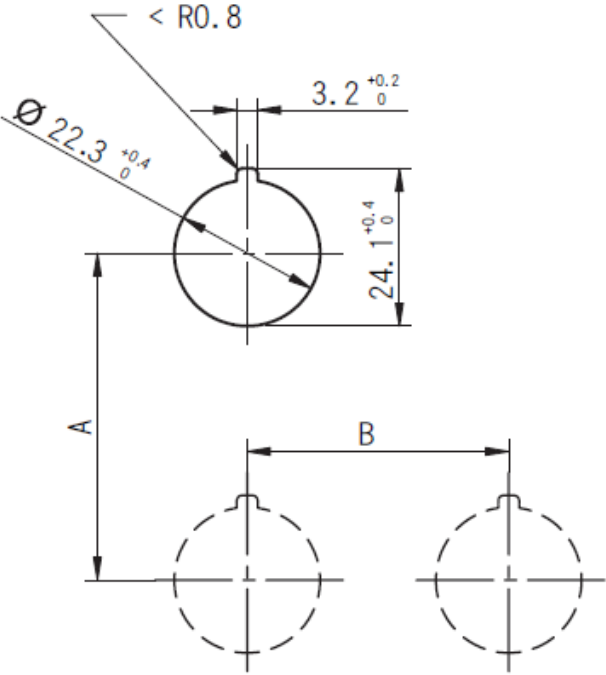
LED消耗電流 LED Rate Current

| Type | Voltage | Current |
|---------|----------------|------------------------|
| LAED-6 | 12V AC/DC | 14mA(Amber、Red、Yollow) |
| | | 13mA(Green、White、Blue) |
| LAED-1 | 12V AC/DC | 14mA(Amber、Red、Yollow) |
| | | 13mA(Green、White、Blue) |
| LAED-2 | 24V AC/DC | 14mA(Amber、Red、Yollow) |
| | | 13mA(Green、White、Blue) |
| LAED-H | 110V AC/DC | 5.5mA |
| LAED-M3 | 230/240V AC/DC | 2.7mA |

| | |
|----------------------------|----------------|
| 儲存溫度 Storage Temperature | -45°C to +85°C |
| 操作溫度 Operating Temperature | -25°C to +70°C |
| 操作濕度 Operating Humidity | 45% to 85% RH |
| 防護等級 Degree of Protection | IP65 |

| | |
|--|---|
| 汙染等級 Degree of Pollution | 3 |
| 接觸阻抗 Contact resistance | 100mΩ max (at 1A, DC 6~8V) |
| 絕緣阻抗 Insulation resistance | 100MΩ max (at DC 500V) |
| 耐電壓 Dielectric Strength | AC 2500, 50/60Hz for 1min |
| 機械壽命 Mechanical Life | 5,000,000 operations |
| 電氣壽命 Electrical Life | 100,000 operations |
| 電氣耐久性 Electrical Durability | 1,000,000 cycles, AC-15, 230V/1A, 3600 cyc/hr, load factor 0.5 1,000,000 cycles, DC-13, 24V/0.6A, 3600 cyc/hr, load factor 0.5 |
| 抗衝擊-誤動作 Shock Resistance - Operating Extremes | 100 m/s ² |
| 抗衝擊-耐久性 Shock Resistance - Operating Extremes | 1000 m/s ² |
| 耐振動-誤動作 Vibration Resistance - Operating Extremes | 5~55Hz, 單振幅 0.5mm 5 to 55Hz, Amplitude 0.5mm |
| 耐振動-耐久性 Vibration Resistance - Damage Limits | 30Hz, 單振幅 1.5mm 30Hz, Amplitude 1.5mm |
| 容許操作頻率-機械 Operating Frequency | 瞬時MAX 60次/min (參考) Instantaneous Maximum 60 operations per 1 min |

安裝說明 Assembly

| | |
|--|--|
| <p>端子外型 Crimp Terminals Appearance</p>  | <p>安裝孔尺寸 Mounting Hole Layout</p>  |
| <p>面板厚度 Panel Thickness</p> | <p>0.8~12 mm</p> |
| <p>安裝轉矩 (牙環) Mounting Torque</p> | <p>2 N.m</p> |

安全認證 Certificates

| | |
|---------------------------|--|
| <p>Certification Mark</p> |  |
| <p>Approved Standards</p> | <p>IEC 60947-1, IEC 60947-5, GB/T 14048.5, UL508, CSA C22.2</p> |