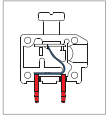


# MWX201 PCB Spring Type Terminal Block

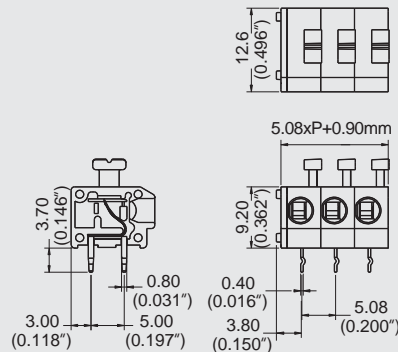


## DIMENSIONS/POSITIONS

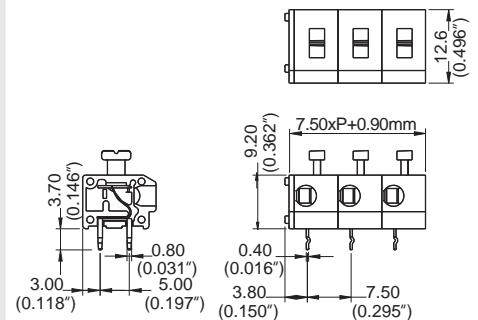
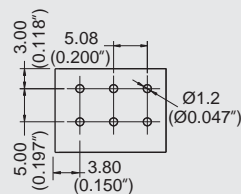
DIMENSIONS/POSITIONS		MWX201-508	MWX201-750
間距	Pitch	5.08mm	7.50mm
位數	Poles	2 ~ 24Poles	2 ~ 20Poles
塑膠本體	Housing Material	PA 66	PA 66
端蓋	Cover	PA 66	PA 66
端子	Contact	Brass, Tin Plated	Brass, Tin Plated
彈片	Spring	Stainless Strip Steel	Stainless Strip Steel
電線線徑	Wire Size	14 ~ 20AWG	14 ~ 20AWG
剝線長度	Wire Strip Length	9mm ~ 10mm	9mm ~ 10mm
PCB孔徑	PCB Hole Diameter	1.2mm	1.2mm
環境作業溫度	Operating Temperature	-40°C to +105°C	-40°C to +105°C

## TECHNICAL DATA

連接符合標準 Connection in acc. with standard EN-VDE			
額定電流 I <sub>n</sub>	Nominal Current I <sub>n</sub>	10A	10A
額定橫截面	Nominal Cross Section	-	-
最大負載電流	Maximum load current	10A	10A
絕緣材料	Insulating Material	PA	PA
阻燃等級,符合UL94 Inflammability class acc. to UL94		V0	V0
額定電壓,UL/CUL Nominal voltage, UL/CUL		300V	300V
額定電流,UL/CUL Nominal current, UL/CUL		10A	10A



PCB Layout



PCB Layout

