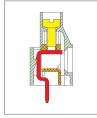


# MB910 PCB Terminal Block, Modular



MB

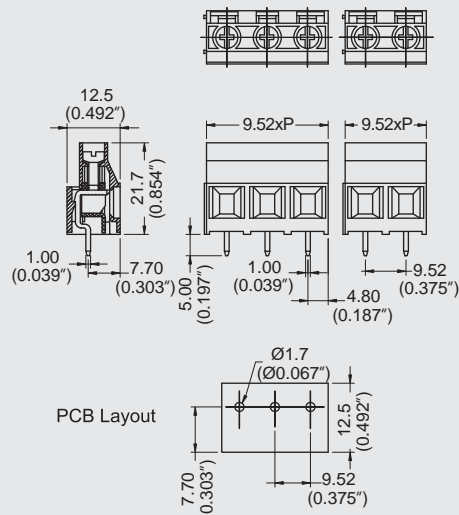
## DIMENSIONS/POSITIONS

## MB910-952M

間距	Pitch	9.52mm
位數	Poles	2 ~ 3Poles
塑膠本體	Housing Material	PA 66
壓線圈	Cage Clamp	Steel, Ni Plated
端子	Contact	Brass, Tin Plated
螺紋	Screw Thread	M3.0, Steel, Zinc Plated
電線線徑	Wire Size	10 ~ 24AWG
剝線長度	Wire Strip Length	8mm
PCB孔徑	PCB Hole Diameter	1.7mm
最大緊固扭矩	Tightening Torque, Max.	9.0 Lb-in
環境作業溫度	Operating Temperature	-40°C to +105°C

## TECHNICAL DATA

連接符合標準	Connection in acc. with standard EN-VDE	
額定電流 I <sub>n</sub>	Nominal Current I <sub>n</sub>	25A
額定橫截面	Nominal Cross Section	6.0mm <sup>2</sup>
最大負載電流	Maximum load current	25A
絕緣材料	Insulating Material	PA
阻燃等級,符合UL94	Inflammability class acc. to UL94	V0
額定電壓,UL/CUL	Nominal voltage, UL/CUL	300V
額定電流,UL/CUL	Nominal current, UL/CUL	30A



Note:  
 Screw Plating: Changes are available upon request  
 Cage Clamp: MB912: Brass